

Head Office:
Oakville, Ontario
905.339.0634



Toll Free: 1.866.964.5135
info@ancamcompanies.com
ancamcompanies.com

INSPIRE ♦ EMPOWER ♦ INNOVATE

Ancam Solutions Company Ltd. (**ANCAM**) developed from practical beginnings to the team of Combined Service Professionals who provide *MANAGEMENT, ENGINEERING and INTEGRATION* for a wide range of businesses across North America.

Solutions naturally result when we work together with clients **INSPIRING** creativity, **EMPOWERING** decisions based on proven principles and **INNOVATING** solutions for even the most difficult challenges.

MAINTENANCE SAFETY ENABLING DEVICE



Mechanic has the ability to
STOP and ISOLATE
the machine through existing
Emergency Stop circuits DIRECTLY
from the *Point of Work.*

Recognized as a Safety Enhancement to
FULL LOCK OUT / TAG OUT

Ancam Solutions Company Ltd. (ANCAM) has designed and developed a Wireless Maintenance Safety Enabling Device (MSED) that provides a maintenance mechanic with the ability to stop and isolate the machine through control power isolation at the point of activity.

- ♦ The ANCAM MSED allows for control power isolation which is recognized as a safe alternative to full LOTO due to the periodic and frequent nature of the required activities and greatly enhances the safety of code required communications for work chair operations.
- ♦ The ANCAM MSED isolates the machine control circuits to the remote system with a key switch which ensures that the mechanic on duty knows the machine will be isolated during their work on the equipment.

Acceptable uses for the ANCAM MSED include maintenance activities at locations remote from operations consoles, inspections and testing activities on operating equipment, conveyor adjustments and belt tracking activities, operator setup or changeover functions.

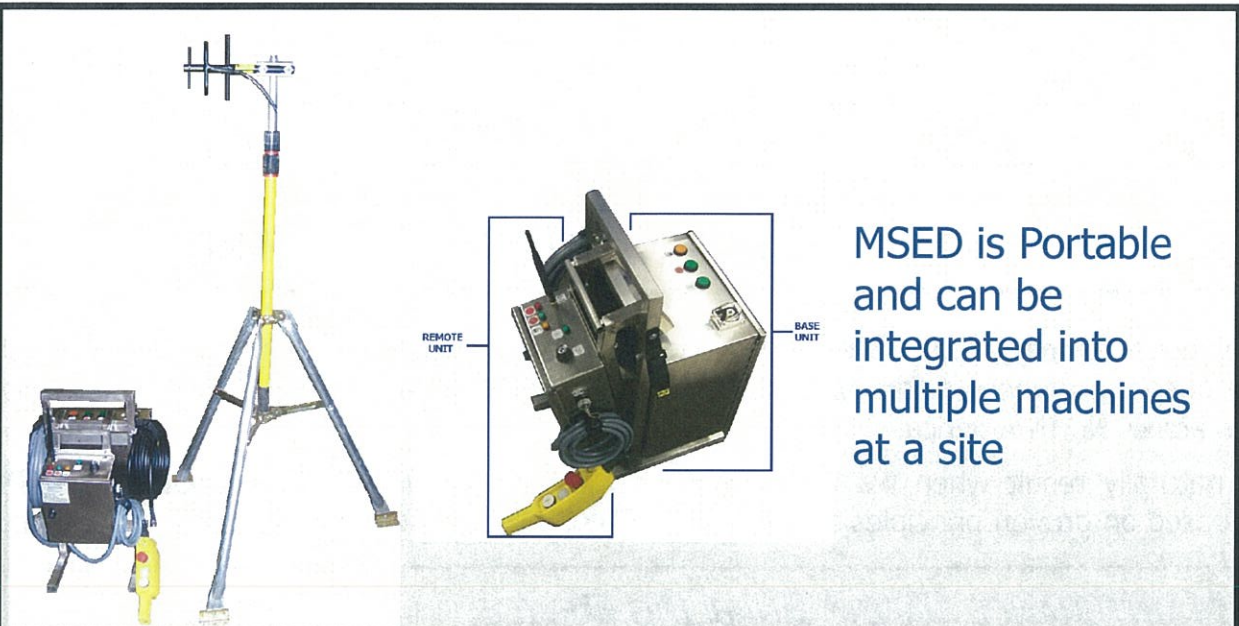


Contact an ANCAM Industry Specialist for more details on how the MSED can integrate with your operations to keep your mechanics SAFE!



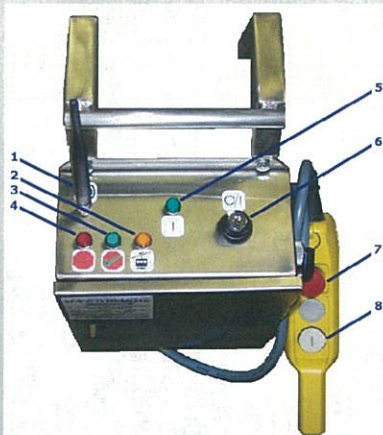
With the ANCAM **MSED**

MAINTENANCE SAFETY ENABLING DEVICE



MSED is Portable and can be integrated into multiple machines at a site

REMOTE UNIT



- 1- Antenna
- 2- Device Started/Running Indicator
- 3- Emergency Stop Reset Indicator
- 4- Emergency Stop Pressed Indicator
- 5- Power On Indicator
- 6- Maintenance Mode Off/On Key Switch
- 7- Emergency Stop
- 8- Device Enable/Run Control Button

BASE UNIT



- 1- Antenna Cable
- 2- Maintenance Mode Key Switch
- 3- Power On Indicator
- 4- Emergency Stop Reset Indicator
- 5- Device Started/Running Indicator
- 6- Interface Cord and Plug
- 7- Supervisor Mode Off/On Key Switch
- 8- Antenna Connection



COMBINED TECHNICAL SERVICES TEAM



Head Office:
Oakville, Ontario
905.339.0634

Regional Offices:
Northern Ontario,
Alberta

Toll Free: 1.866.964.5135
ancamcompanies.com

INSPIRE ♦ EMPOWER ♦ INNOVATE